

technical data sheet

Hydrofor™ Hydraulic jacks W.L.L. : 5 t - 10 t - 25 t

réf. : **T 2061 GB**
rév. n° : **04**
date : **08/14**
page : **1/1**

FUNCTION :

Floor handling of heavy loads requesting a limited lift for maintenance purposes or to lift a load prior to move it on the floor with Pakrol™ skates.

DESCRIPTION AND PRINCIPLE OF USE :

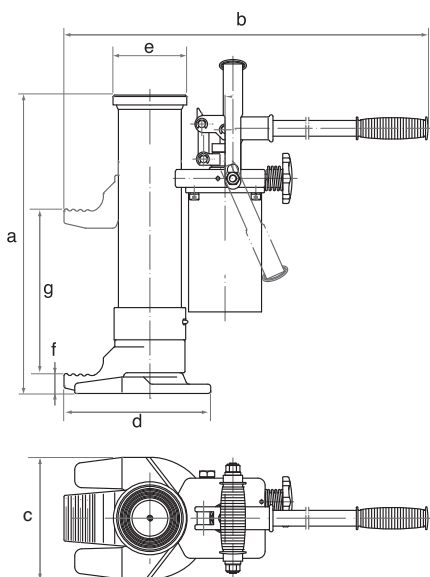
The Hydrofor™ jack is a manually operated single block hydraulic ram with a projecting lifting toe. Operating the lever will lift the load, when the release button is closed. By turning smoothly this button anti-clockwise, the load will be controlled downwards.

The load can be handled either by the toe or by the jack head.

ADVANTAGES :

- Robust construction with a single block steel body and wearing parts such as the column, the toe and the base plate are of high resistance special steel.
- Ergonomic and removable handle for transport (25 t model is fitted with rollers).
- Working Load applied on toe and head.
- Pressure valve to avoid overloading.
- A release button controls lowering operations.
- Toe can swivel 360° around the axis of the jack.
- Operation in both vertical and horizontal position (vertical position only for 25t unit).
- Minimum clearance only between floor and toe.
- Easy maintenance of the hydraulic circuit.
- Removable operating lever.

CHARACTERISTICS :



Models		H5	H10	H25	
W.L.L.		t	5	10	25
Travel of ram	g	mm	205	230	215
Travel of toe	Mini/ Max	mm	25 / 230	30 / 260	58 / 273
Travel of head	Mini/ Max	mm	368 / 573	420 / 650	505 / 720
Dimensions	a	mm	368	420	505
	b	mm	740	745	1305
	c x d	mm	140 x 213	170 x 205	210 x 420
	e	mm	Ø 93	Ø 103	155 x 155
	f	mm	25	30	58
Effort on lever (load limit)		N	380	400	400
Weight		kg	20	28	109